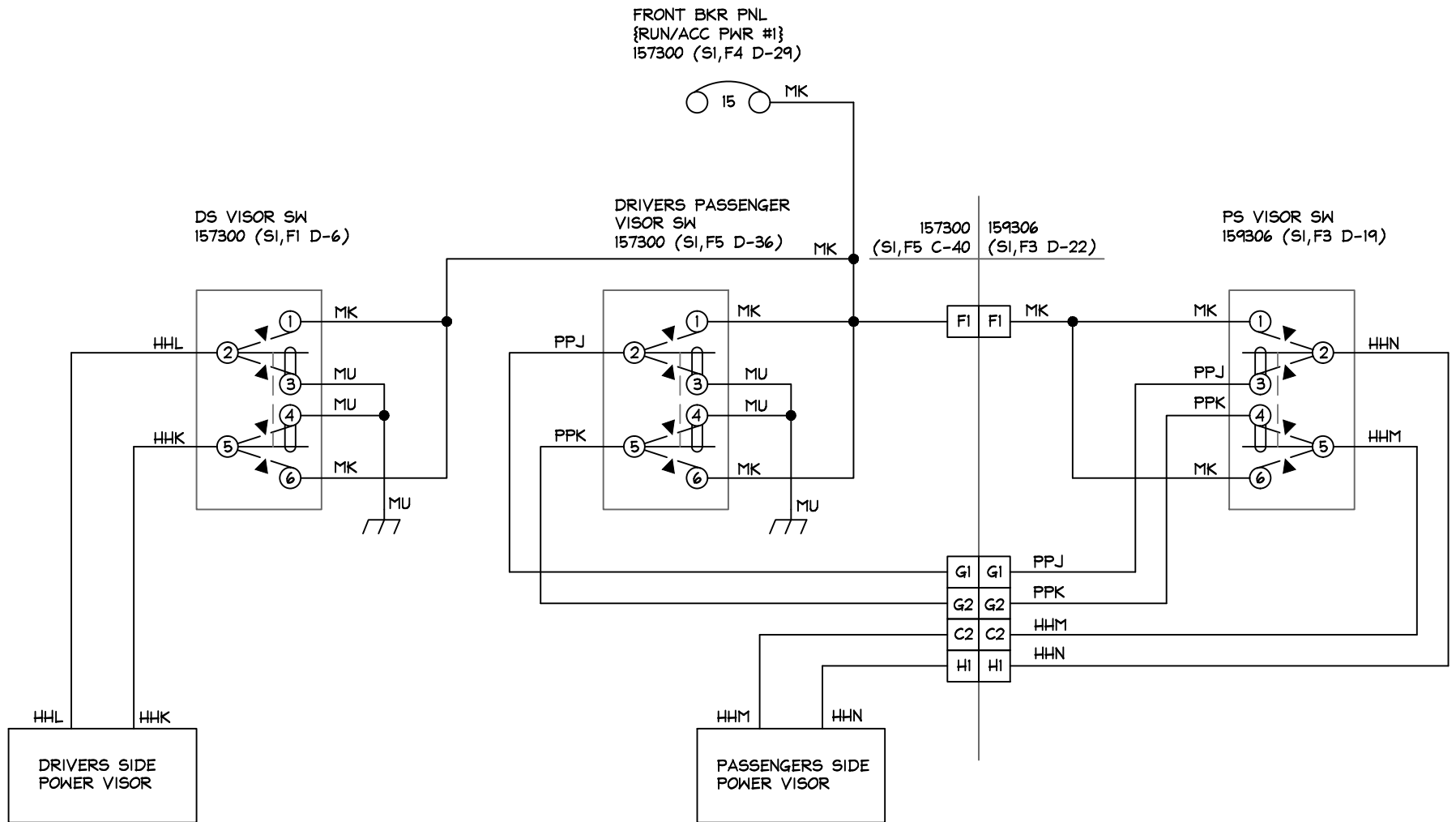


02/14/17 2:58:53 PM D:\MY DOCUMENTS\RV\07 JOURNEY_34H\JOURNEY CAD\VISOR CONT.DWG



NOTE:
SWITCH (3) ARE WINNEBAGO 108357-16-000
CARLING VXD1000B-0 DPDT (ON) ON (ON)
THIS IS A SPECIAL CONFIGURATION

SCALE:N/A	PROJECT:07 WINNEBAGO JOURNEY	TITLE:POWER VISORS	DRG: VISORS	REVISION 0
DRAWN:JIM EXLER	LOC:NAMPA, ID			
DATE:2/12/17	JOB NO:34H	Visor Cont.dwg		