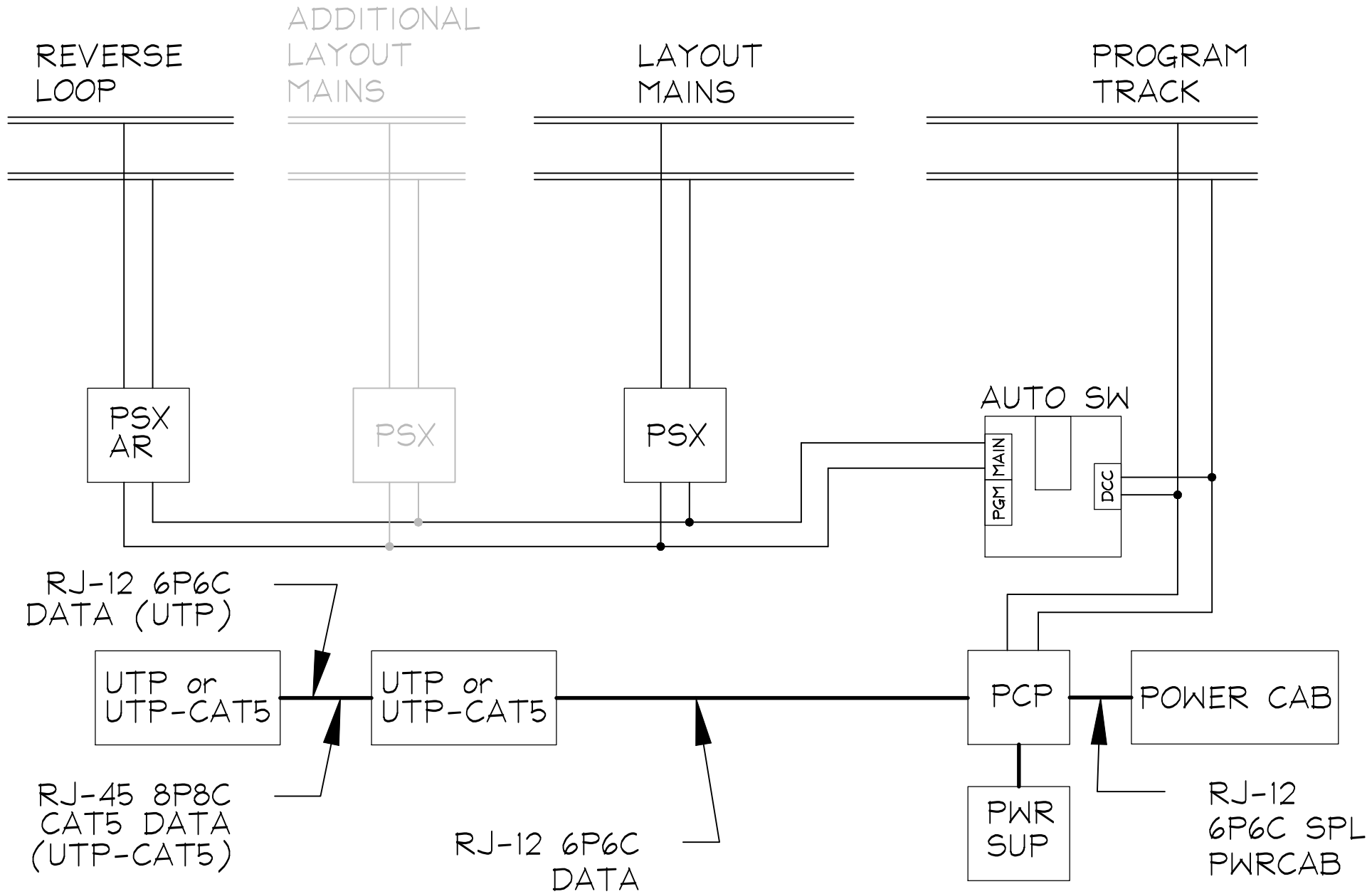


06/20/20 9:30:20 AM D:\MY DOCUMENTS\JIM FILES\823 W RIVER STONE CT\823 PLANS\823 HR RR WIRE.DWG



THIS WIRING ALLOWS DRIVE ON/OFF OF THE PROGRAMMING TRACK BUT DOES NOT PROVIDE FULL LOW CURRENT PROTECTION. THE PROGRAMMING TRACK WILL SEE FULL CURRENT AT ALL TIMES OTHER THAN WHEN IT IS IN PROGRAMMING TRACK MODE.

Program track with Auto Switch	SCALE: N/A	PROJECT: Layout / Pgm Trk Wiring	TITLE: NCE POWER CAB WIRING
AS isolates the main whenever the PROGRAM TRACK mode is active	DRAWN: JIM EXLER	LOC: 823 WRS	DRG: NCEDCC6
	DATE: 6/20/20	JOB NO: 823R	823 HR RR Wire.dwg
			REVISION 0