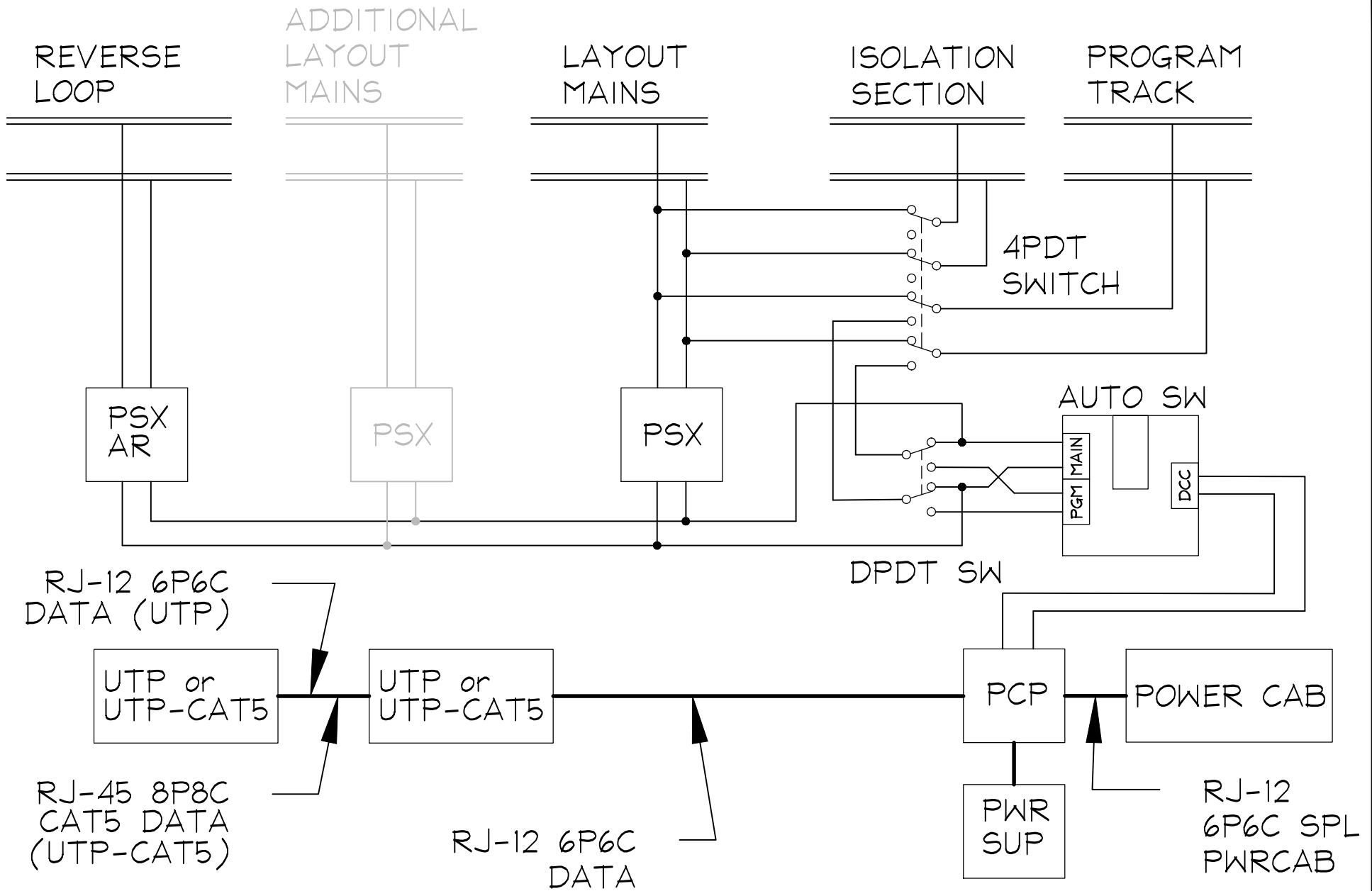


D:\MY DOCUMENTS\JIM FILES\823 W RIVER STONE CT\823 PLANS\823 HR RR WIRE.DWG 9:28:47 AM 06/20/20



SEE NCEDCC3 TO CONVERT THIS WIRING FOR USE WITH ADDED SB5 OR POWER PRO SYSTEM

Program track with Auto Switch and toggle switches for isolation and protection for Power Cab only	SCALE: N/A DRAWN: JIM EXLER DATE: 6/19/20	PROJECT: Layout / Pgm Trk Wiring LOC: 823 WRS JOB NO: 823R	TITLE: NCE POWER CAB WIRING DRG: NCEDCC4	REVISION 0
--	---	--	---	---------------