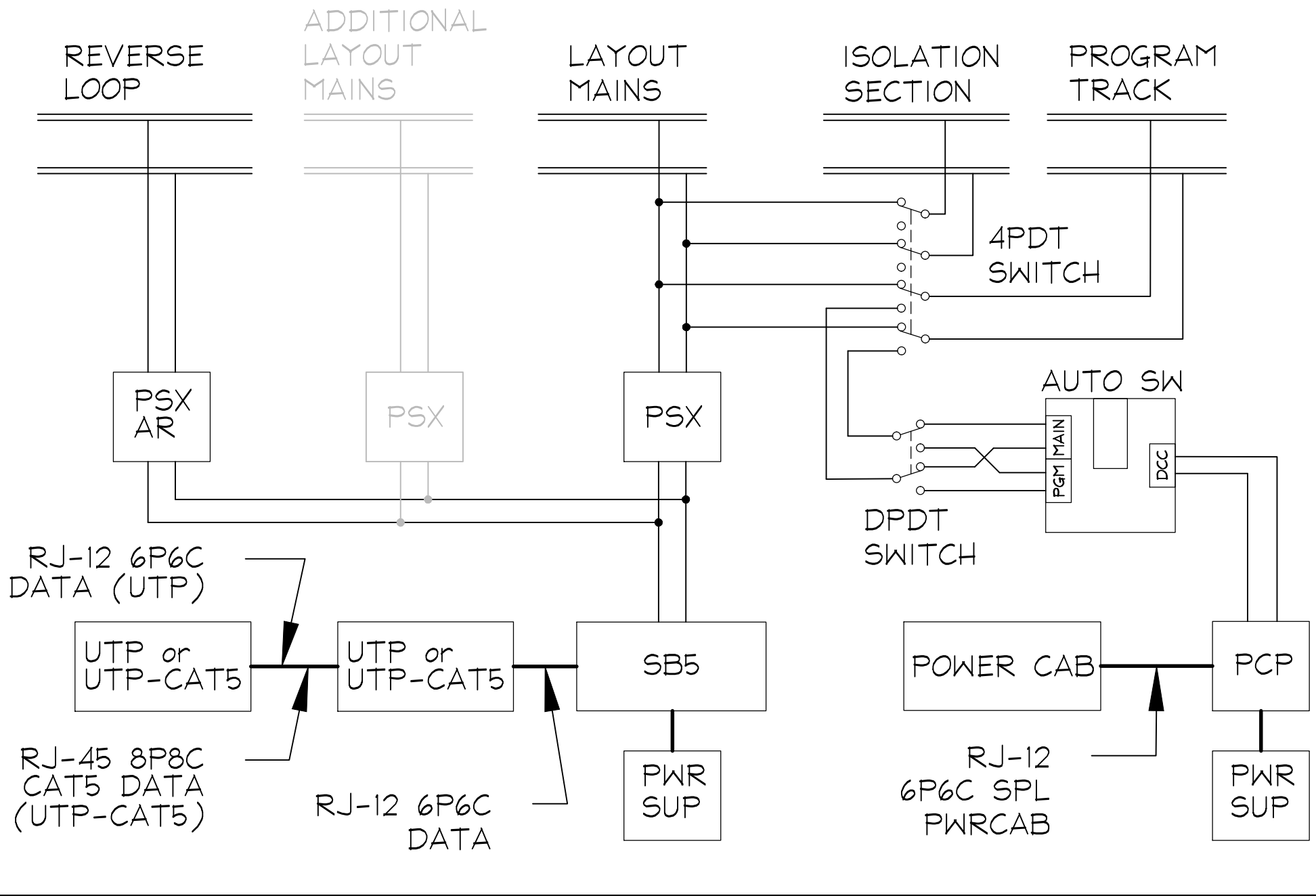


D:\MY DOCUMENTS\JIM FILES\823 W RIVER STONE CT\823 PLANS\823 HR RR WIRE.DWG

06/20/20 9:26:08 AM



Program track with Auto Switch and toggle switches for isolation and protection	SCALE: N/A DRAWN: JIM EXLER DATE: 5/10/20	PROJECT: Layout / Pgm Trk Wiring LOC: 823 WRS JOB NO: 823R	TITLE: NCE DCC WIRING DRG: NCEDCC3	REVISION 0
---	---	--	---------------------------------------	---------------