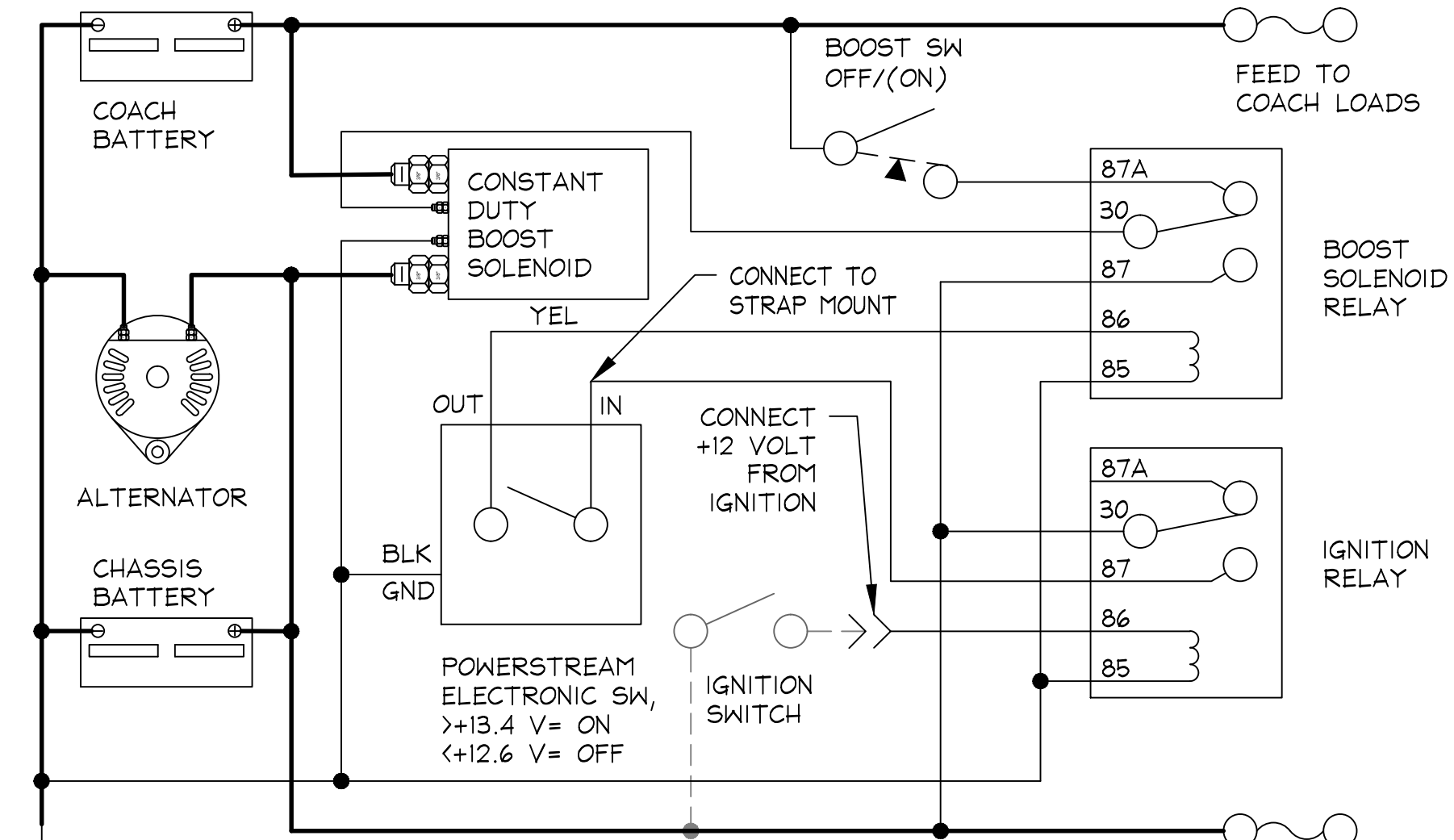


03/06/17 6:56:38 PM D:\MY DOCUMENTS\RV\ELECT\ALTERNATOR CHG.DWG



NOTES:

BOOST SW (ON) & Δ = MOMENTARY.
 IF THE ALTERNATOR IS NOT WORKING, THE BOOST SW CAN BE WEDGED ON TO USE THE GENERATOR TO CHARGE BOTH BATTERIES WHILE DRIVING.
 POWERSTREAM SBC-3112 SHOWN IS POWERED BY A STRAP CONNECTED TO THE ADDED IGNITION RELAY. THIS ALLOWS CHASSIS BATTERY FEED TO BE SHORT AND SUPPLY TRUE BATTERY VOLTAGE W/O LOADS.

Ignition feed added to shut down the unit with the key off	SCALE: N/A	PROJECT: BATTERY CHARGE OPTION	TITLE: PWRSTRM ALT CHG CONN 2
	DRAWN: JIM EXLER	LOC: NAMPA, ID	DRG: ALTCHG4
	DATE: 2/8/17	JOB NO: N/A	Altenator Chg.dwg
			REVISION 0