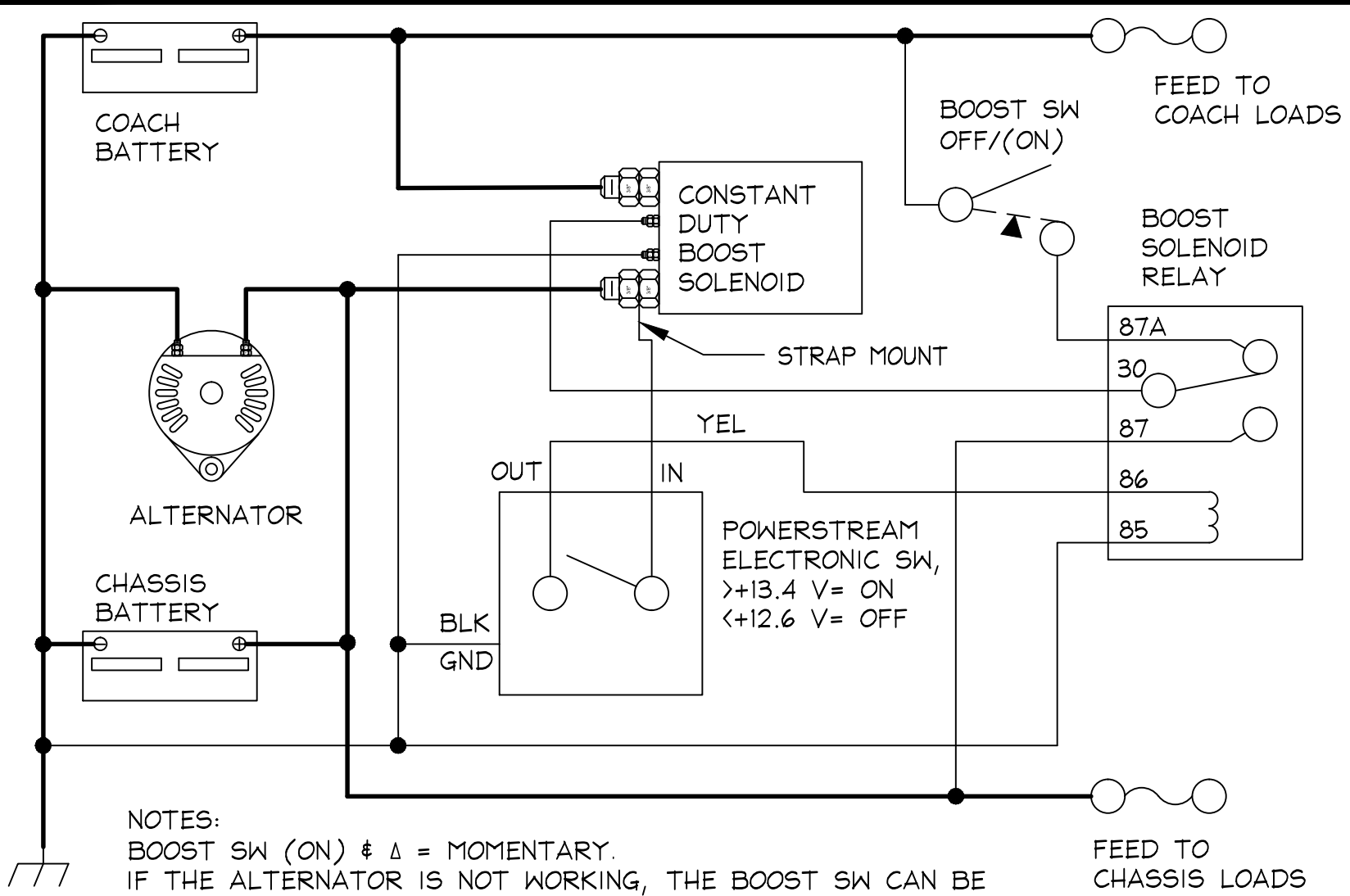


03/06/17 6:51:53 PM D:\MY DOCUMENTS\RV\ELECT\ALTERNATOR CHG.DWG



NOTES:
 BOOST SW (ON) & Δ = MOMENTARY.
 IF THE ALTERNATOR IS NOT WORKING, THE BOOST SW CAN BE WEDGED ON TO USE THE GENERATOR TO CHARGE BOTH BATTERIES WHILE DRIVING.
 POWERSTREAM SBC-3112 SHOWN IS POWERED BY A STRAP TO THE SOLENOID AT THE + CONN FROM THE CHASSIS BAT.
 DRAWBACK: CONTROL IS ALWAYS ON W/ 6 MA LOAD MIN.
 ALTERNATIVE WOULD BE FEED W/ SWITCHED IGN SOURCE. SEE DWG ALTCHG4

SCALE: N/A	PROJECT: BATTERY CHARGE OPTION	TITLE: PWRSTRM ALTERNATOR CHG CONN
DRAWN: JIM EXLER	LOC: NAMPA, ID	DRG: ALTCHG3
DATE: 1/27/17	JOB NO: N/A	REVISION: 0
	Alternator Chg.dwg	